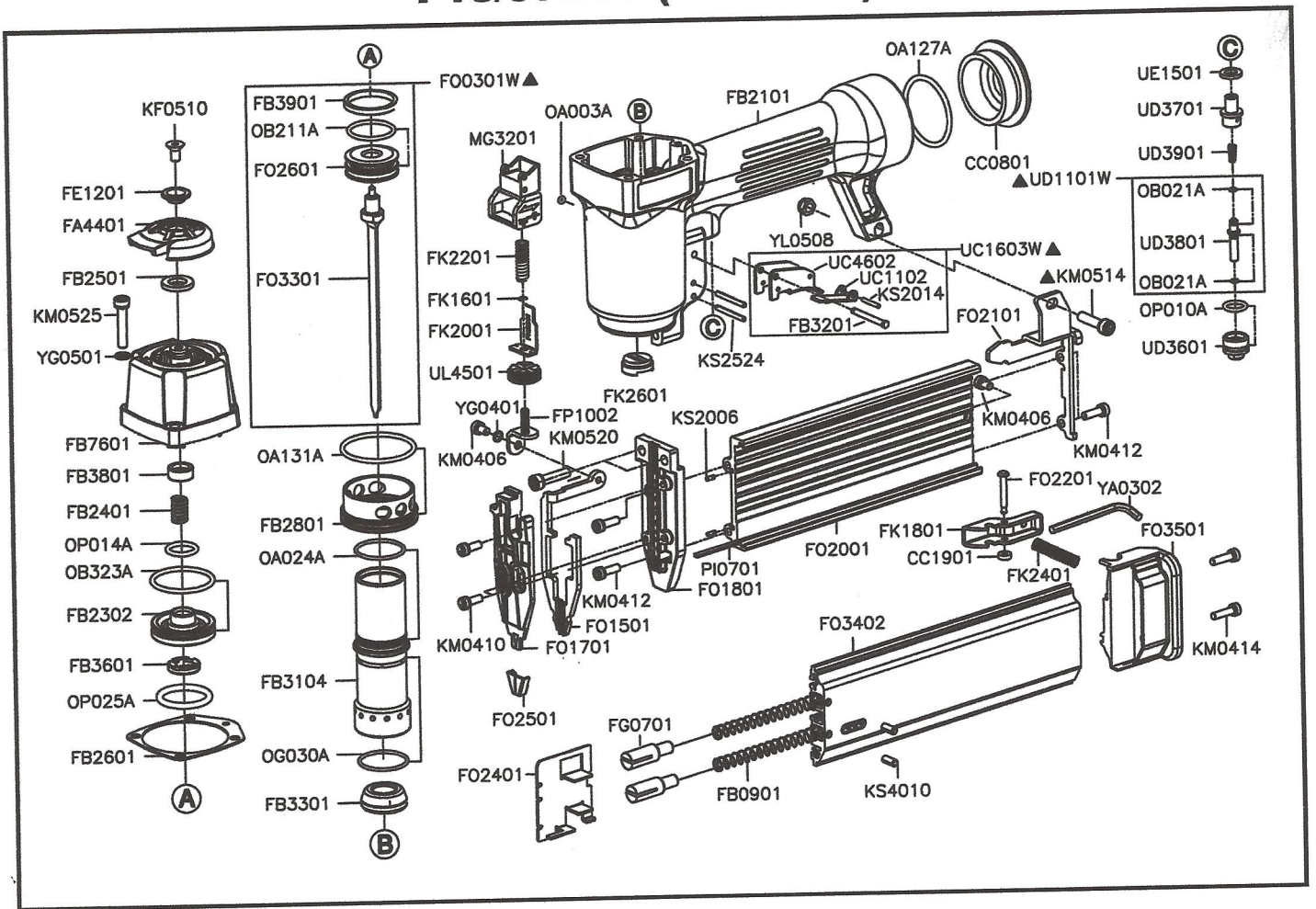


# F18/57B03 (FO/S1-03)



Part_No	Description	Spec	Q'ty	Part_No	Description	Spec	Q'ty	Part_No	Description	Spec	Q'ty
CC0801	END CAP		1	FO1501	WORK CONTACTING ELEMENT(A)		1	OA003A	O-RING	ARP568-003	1
CC1901	BUSHING		1	FO1701	COVER PLATE		1	OA024A	O-RING	ARP568-024	1
FA4401	EXHAUST CAP		1	FO1801	GUIDE PLATE		1	OA127A	O-RING	ARP568-127	1
FB0901	PUSHER SPRING		2	FO2001	MAGAZINE SEAT		1	OA131A	O-RING	ARP568-131	1
FB2101	BODY		1	FO2101	SUPPORT		1	OB021A	O-RING	1.8x1.2	2
FB2302	HEAD VALVE PISTON		1	FO2201	PIN		1	OB211A	O-RING	20.8x1.78	1
FB2401	COMPRESSION SPRING		1	FO2401	PUSHER		1	OB323A	O-RING	31.8x2.4	1
FB2501	PISTON STOP		1	FO2501	SAFETY CUSHION		1	OG030A	O-RING	G30	1
FB2601	CAP SEAL		1	FO2801	MAIN PISTON		1	OP010A	O-RING	P10	1
FB2801	COLLAR		1	FO3301	DRIVER		1	OP014A	O-RING	P14	1
FB3104	CYLINDER		1	FO3402	MAGAZINE CAP		1	OP025A	O-RING	P25(1A)	1
FB3201	PIN		1	FO3501	COVER		1	PI0701	BAR		1
FB3301	BUMPER		1	FP1002	WORK CONTACTING ELEMENT(B)		1	UC1102	CONTACT LEVER		1
FB3601	PISTON STOP		1	KF0510	FLAT HD.BOLT	M5x0.8-10L	1	▲ UC1603W	TRIGGER ASSY.		1
FB3801	PISTON STOP		1	KM0406	HEX.SOC.HD.BOLT	M4x0.7-6L	2	UC4602	TRIGGER		1
FB3901	MAIN PISTON RING		1	KM0410	HEX.SOC.HD.BOLT	M4x0.7-10L	3	▲ UD1101W	TRIGGER VALVE ASSY.		1
FB7601	CYLINDER CAP		1	KM0412	HEX.SOC.HD.BOLT	M4x0.7-12L	4	UD3601	TRIGGER VALVE GUIDE		1
FE1201	EXHAUST CAP RING		1	KM0414	HEX.SOC.HD.BOLT	M4x0.7-14L	2	UD3701	TRIGGER VALVE SEAT		1
FG0701	PUSHER PIN		2	KM0514	HEX.SOC.HD.BOLT	M5x0.8-14L	1	UD3801	TRIGGER VALVE STEM		1
FK1601	C-RING		1	KM0520	HEX.SOC.HD.BOLT	M5x0.8-20L	2	UD3901	COMPRESSION SPRING		1
FK1801	LATCH		1	KM0525	HEX.SOC.HD.BOLT	M5x0.8-25L	4	UE1501	SEAL		1
FK2001	SAFETY		1	KS2006	SPRING PIN	φ 2-6L	2	UL4501	ADJUSTING WHEEL		1
FK2201	COMPRESSION SPRING		1	KS2014	SPRING PIN	φ 2-14L	1	YA0302	HEX BAR WRENCH	D3	1
FK2401	COMPRESSION SPRING		1	KS2524	SPRING PIN	φ 2.5-24L	2	YG0401	SPRING WASHER	φ 4	1
FK2601	NOZZLE		1	KS4010	SPRING PIN	φ 4-10L	2	YG0501	SPRING WASHER	φ 5	4
▲ FO0301W	DRIVER ASSY.		1	MG3201	SAFETY SET		1	YL0508	LOCK NUT	M5x0.8	1

☆☆ If you need to order parts, please mark both Parts No. and Description. ☆☆