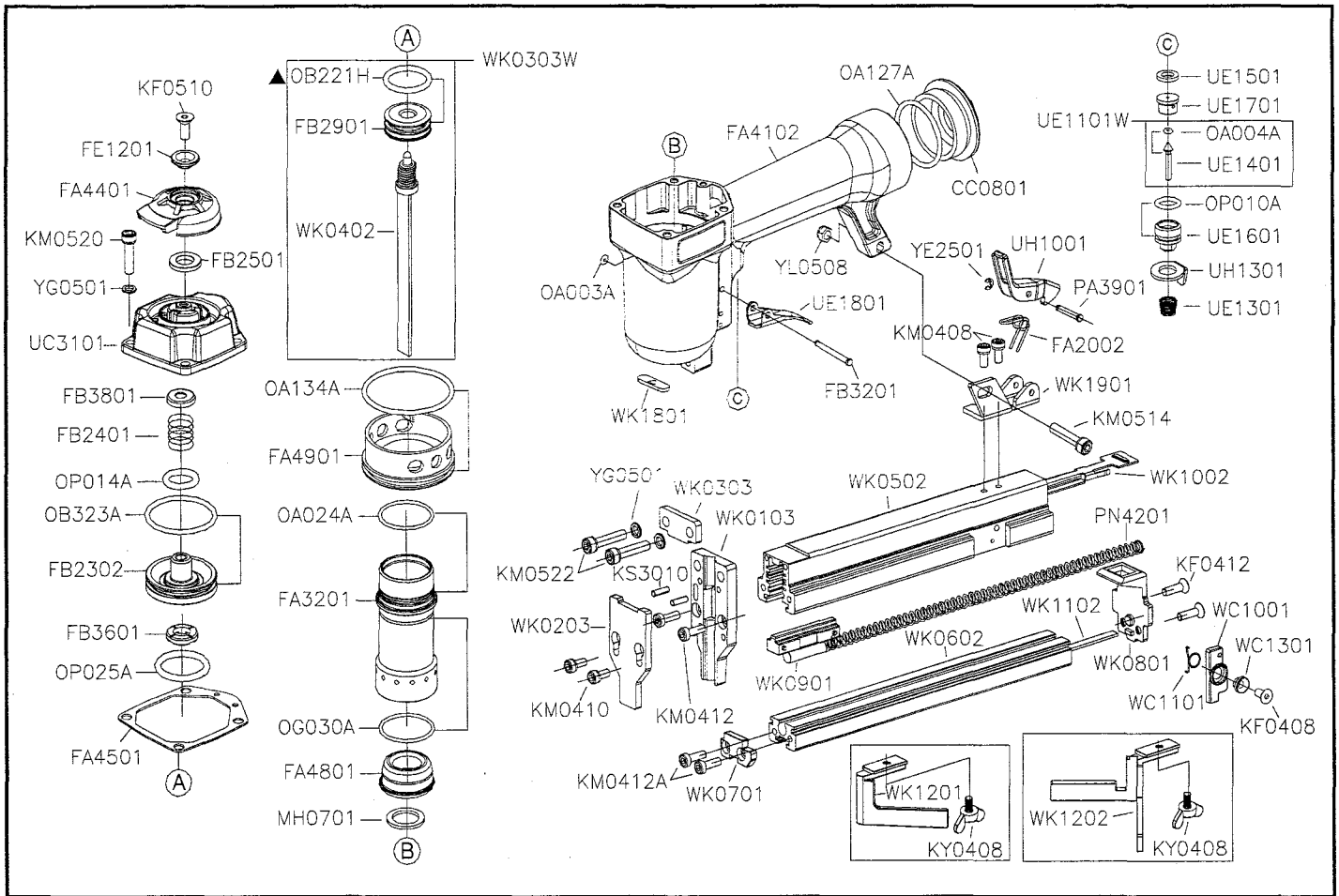


V-15AHE07 (WK/E1-07)



Part_No	Description	Spec	Q'ty	Part_No	Description	Spec	Q'ty	Part_No	Description	Spec	Q'ty
CC0801	END CAP		1	KM0522	HEX.SOC.HD.BOLT	M5×0.8—22L	2	UH1001	LATCH		1
FA2002	SPRING		1	KS3010	SPRING PIN	φ 3-10L	2	UH1301	TRIGGER STOP		1
FA3201	CYLINDER		1	KY0408	SCREW		2	WC1001	PUSHER STOP		1
FA4102	BODY		1	MH0701	SPACER		1	WC1101	SPRING		1
FA4401	EXHAUST CAP		1	OA003A	O-RING	ARP568-003	1	WC1301	SCREW SEAT		1
FA4501	CAP SEAL		1	OA004A	O-RING	ARP568-004	1	WK0103	GUIDE PLATE		1
FA4801	BUMPER		1	OA024A	O-RING	ARP568-024	1	WK0203	COVER PLATE(B)		1
FA4901	COLLAR		1	OA127A	O-RING	ARP568-127	1	WK0303	COVER PLATE(A)		1
FB2302	HEAD VALVE PISTON		1	OA134A	O-RING	ARP568-134	1	WK0303W	DRIVER ASSY.		1
FB2401	COMPRESSION SPRING		1	▲OB221H	O-RING	22.0×3.0	1	WK0402	DRIVER		1
FB2501	PISTON STOP		1	OB323A	O-RING	31.8×2.4	1	WK0502	MAGAZINE CAP		1
FB2901	MAIN PISTON		1	OG030A	O-RING	G30	1	WK0602	MAGAZINE SEAT		1
FB3201	PIN		1	OP010A	O-RING	P10	1	WK0701	FRONT PLATE		1
FB3601	PISTON STOP		1	OP014A	O-RING	P14	1	WK0801	STOP PLATE		1
FB3801	PISTON STOP		1	OP025A	O-RING	P25(1A)	1	WK0901	PUSHER		1
FE1201	EXHAUST CAP RING		1	PA3901	PIN		1	WK1002	ADJUSTMENT RAIL		1
KF0408	FLAT HD.BOLT	M4×0.7—8L	1	PN4201	PUSHER SPRING		1	WK1102	BAR		1
KF0412	FLAT HD.BOLT	M4×0.7—12L	2	UC3101	CYLINDER CAP		1	WK1201	FIXED PLATE		1
KF0510	FLAT HD.BOLT	M5×0.8—10L	1	UE1101W	TRIGGER VALVE ASSY.		1	WK1202	FIXED PLATE		1
KM0408	HEX.SOC.HD.BOLT	M4×0.7—8L	2	UE1301	COMPRESSION SPRING		1	WK1801	NOZZLE		1
KM0410	HEX.SOC.HD.BOLT	M4×0.7—10L	2	UE1401	TRIGGER VALVE STEM		1	WK1901	SUPPORT		1
KM0412	HEX.SOC.HD.BOLT	M4×0.7—12L	2	UE1501	SEAL		1	YE2501	E-RING	φ 2.5	1
KM0412A	HEX.SOC.HD.BOLT	M4×0.7—12L	2	UE1601	TRIGGER VALVE GUIDE		1	YG0501	SPRING WASHER	φ 5	6
KM0514	HEX.SOC.HD.BOLT	M5×0.8—14L	1	UE1701	TRIGGER VALVE SEAT		1	YL0508	LOCK NUT	M5×0.8	1
KM0520	HEX.SOC.HD.BOLT	M5×0.8—20L	4	UE1801	TRIGGER		1				

★☆☆ If you need to order parts, please mark both Parts No. and Description. ☆★